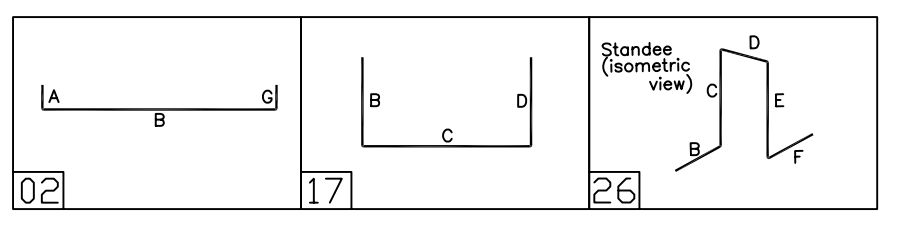


LAYOUT OF PILE CAP – MAIN PLANT BUILDING

Release Code: PILE CAP F4		BENDING DETAILS.															
Bar Mark	Qty	Size	Total length	Type	A'	B'	C'	D'	E'	F'	G'	H'	I'	J'	K'	L'	M'
8A01	888	#8	4'11 1/2	T4		3'7"											
8A02	16	#5	4'0" T7			2'0"											
8A03	46	#8	1'8" T7			2'6"	14'3"	7'6"									
8A04	32	#8	26'2" T7			2'6"	21'2"	2'6"									
8A25	30	#5	8'6" T6			1'6"	2'4"	1'0"	2'4"	1'6"							

Scale = 1/8" = 1'-0"
 SDR: C152
 For GB's Locations
 Refer Dwg No: 4-10-50-C152



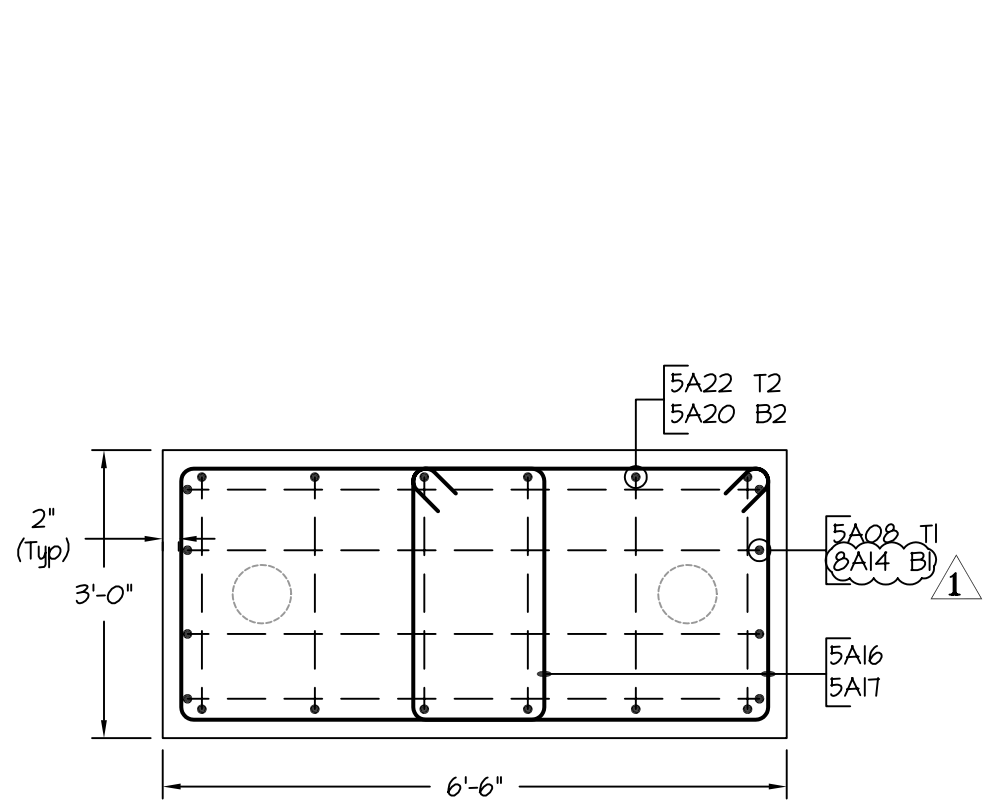
ALL MATERIAL ON THIS DRAWING TO
ASTM A615
GRADE 60 BLACK U.N.O

Lap Schedule 4000 PSI		
Size	Others	Top
#4	16"	14"
#8	37"	48"

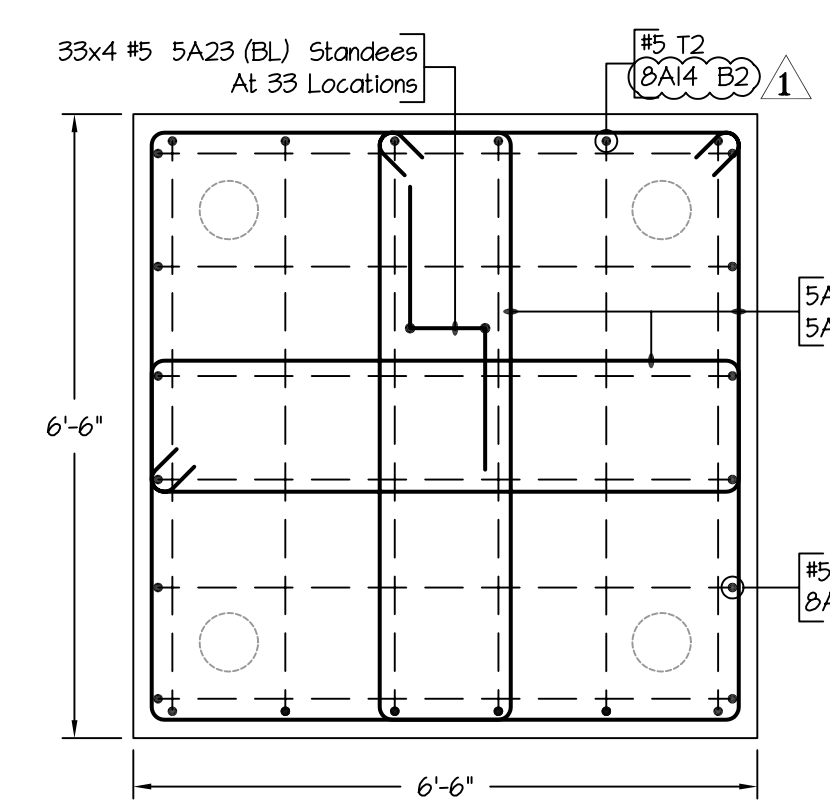
For Pile cap Schedule
 Refer Dwg No : R02

For Piers Refer Dwg No : R03

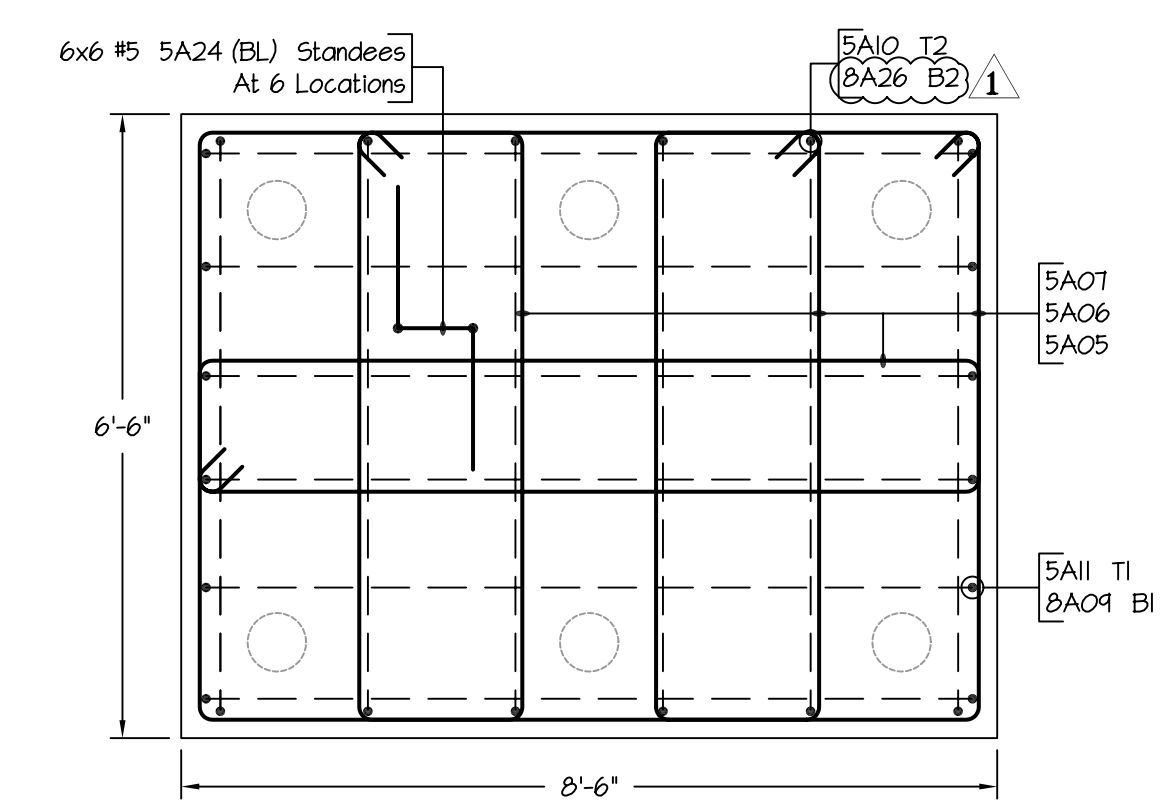
REVISED
 FOR FIELD USE
 07-30-10



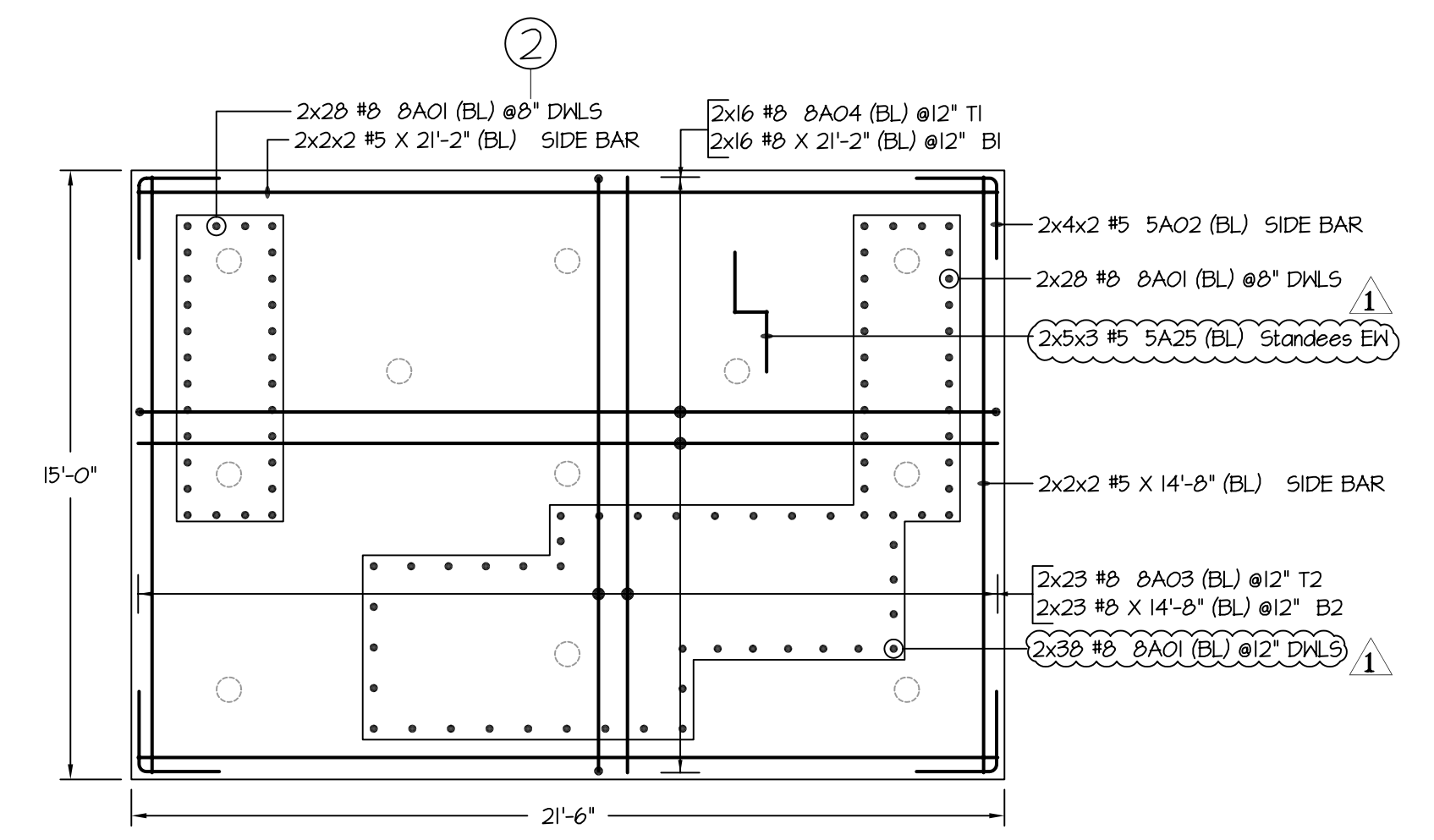
PILE CAP-F1
 Scale = 1/2" = 1'-0"



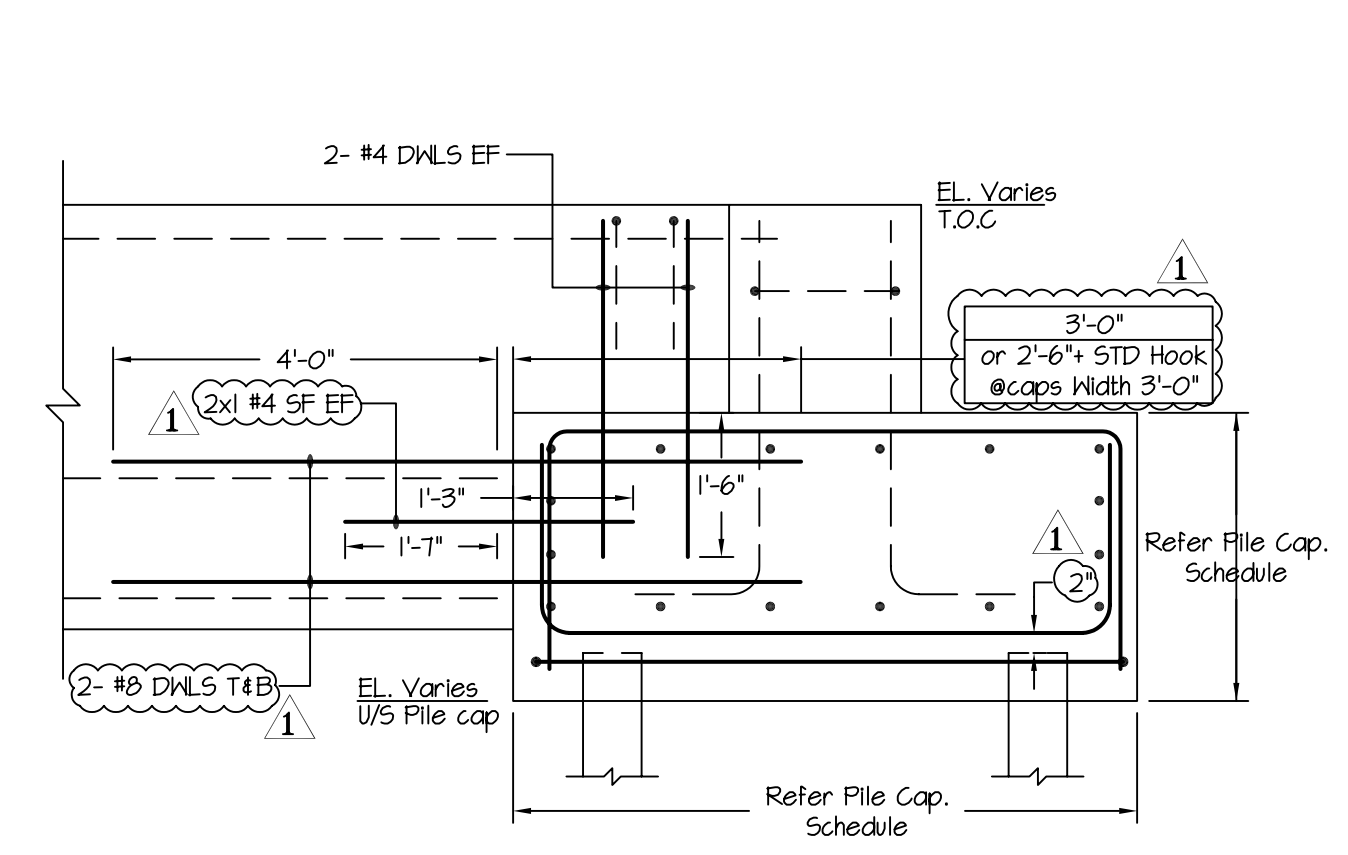
PILE CAP-F2
 Scale = 1/2" = 1'-0"



PILE CAP-F3
 Scale = 1/2" = 1'-0"



PILE CAP-F4
 Scale = 1/4" = 1'-0"
 (2 Req'd)



TYPICAL PILE CAP DETAIL
 Scale = 1/2" = 1'-0"

*****NOTICE*****
 SHORTAGES, IMPROPER FABRICATION, OR CLAIMS FOR ANY OTHER REASON MUST BE REPORTED TO CMC REBAR WITHIN A PERIOD OF 10 DAYS OF DELIVERY. CMC REBAR RESERVES THE RIGHT TO FIELD INSPECT PRIOR TO REPLACEMENT OR RECONDITIONING OF NON-CONFORMING MATERIAL AND WILL NOT HONOR CHARGES FOR WORK DONE IN THE FIELD WITHOUT PRIOR WRITTEN AUTHORIZATION FROM CMC REBAR.

REINFORCING STEEL PLACING DRAWING ONLY. USE IN CONJUNCTION WITH CONTRACT DRAWINGS AND SPECIFICATIONS. ELEVATIONS AND DIMENSIONS SHOWN ON THIS DRAWING ARE FOR DETAILING PURPOSES ONLY AND SHOULD NOT BE USED FOR CONSTRUCTION UNLESS VERIFIED BY THE ENGINEER OR THE CONTRACTOR

REINFORCING BARS ASTM A 615 GRADE 60

BAR SIZE	CONVERSION	IMPERIAL / SDR	METRIC
#2	/ #6	#8 / #25	
#3	/ #10	#9 / #29	
#4	/ #13	#10 / #32	
#5	/ #16	#11 / #36	
#6	/ #19	#14 / #43	
#7	/ #22	#18 / #57	

ABBREVIATIONS	DEFINITIONS
DF	- DIRT FACE
EF	- EACH FACE
EW	- EACH WAY
HEF	- HALF EA. FACE
HEW	- HALF EA. WAY
HTB	- HALF TOP & BOT.
IF	- INSIDE FACE
LW	- LONG WAY
NF	- NEAR FACE
OF	- OUTSIDE FACE
SW	- SHORT WAY
T&B	- TOP & BOTTOM

DRWG NO.	REV.	DATE	NO.	DATE	NO.	DATE
C152	01	06-30-10	APPROVAL	0	07-01-10	
C153	02	06-23-10	FIELD	1	07-30-10	
C154	01	06-30-10	REV. FIELD			
C155	01	06-30-10	INFO. ONLY			
C156	01	06-30-10				
C157	01	06-30-10				

NO.	DATE	DESCRIPTION
1	07-30-10	Revised as per AE Comments

NO.	DATE	DESCRIPTION
1	07-30-10	Revised as per AE Comments

JOB Unimin Quartz/Feldspar Plant-Package CWP-003
 LOCATION Spruce Pine, NC
 CONTRACTOR _____
 DRWG COVERS Main Plant Building – Pile Cap Layout

DATE: 07-01-10
 DETAILED: RDD
 CHECKED: RDD
 JOB NO: NCO0142
 DRAWING: R01

